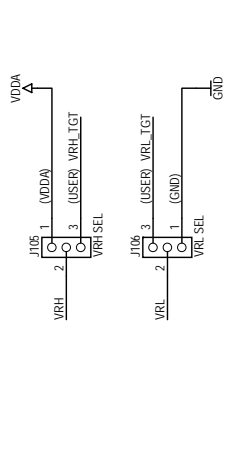
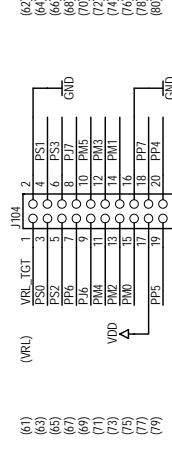
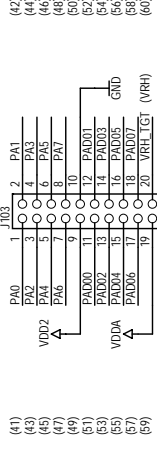
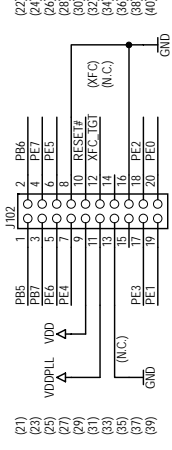
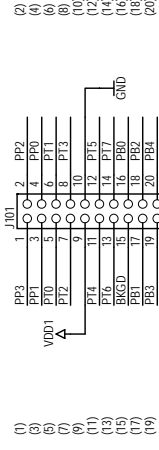
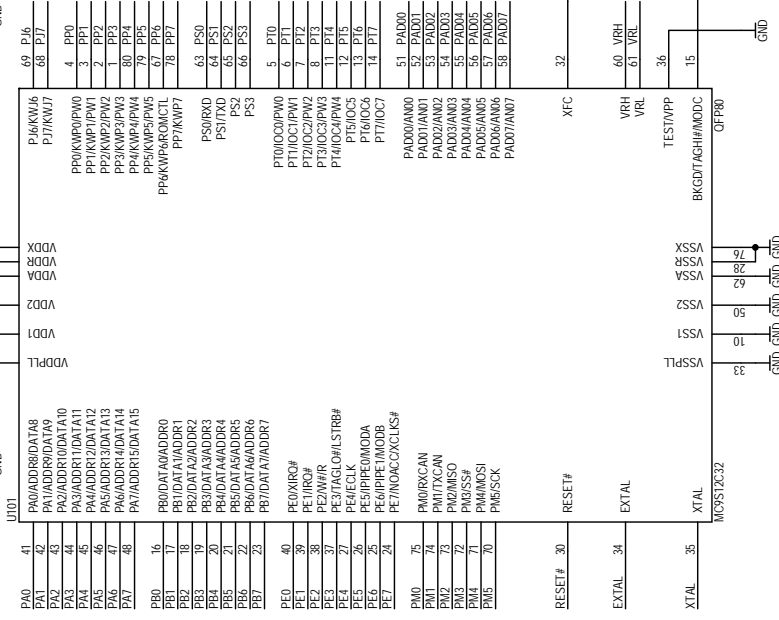
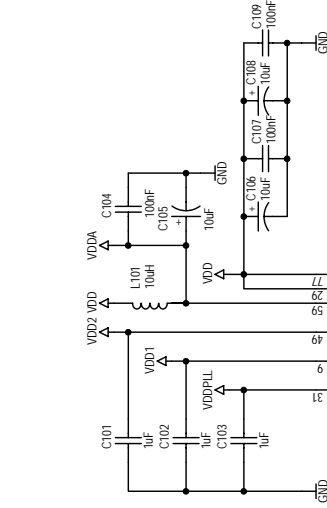
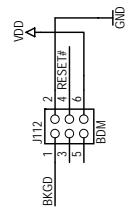
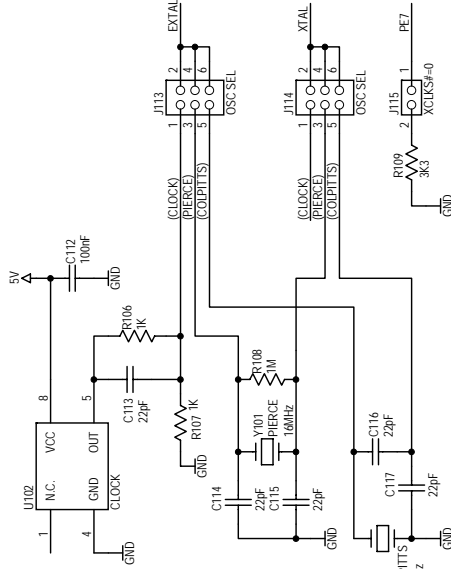
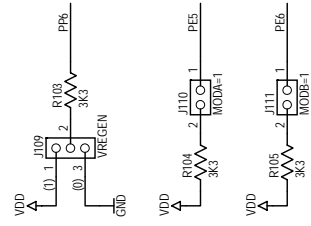


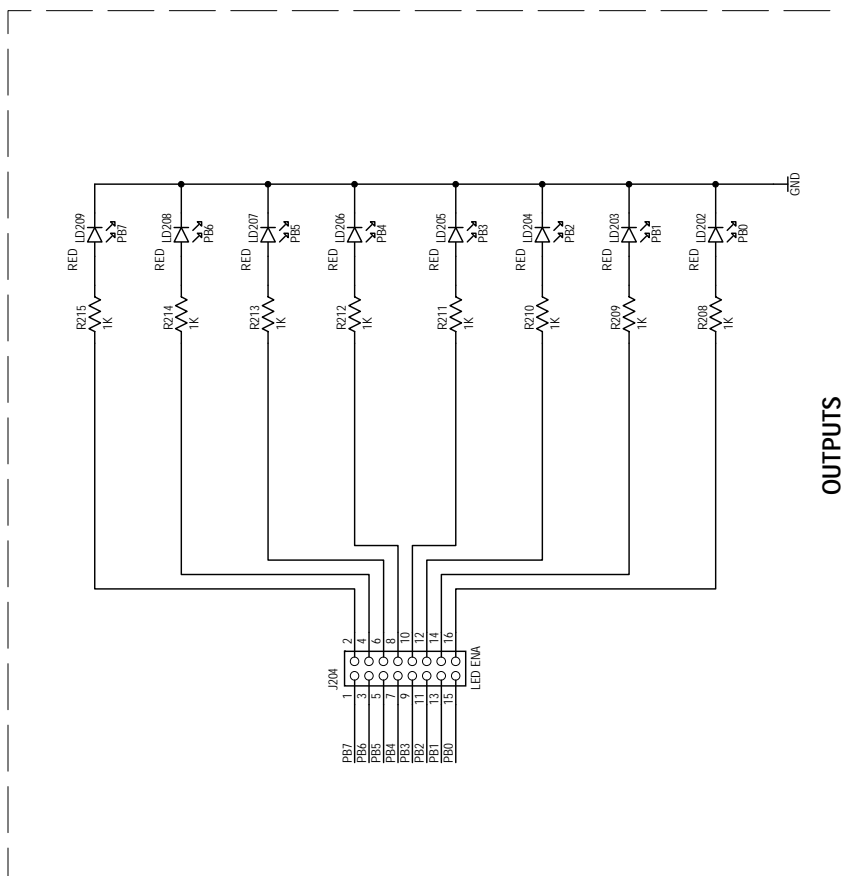
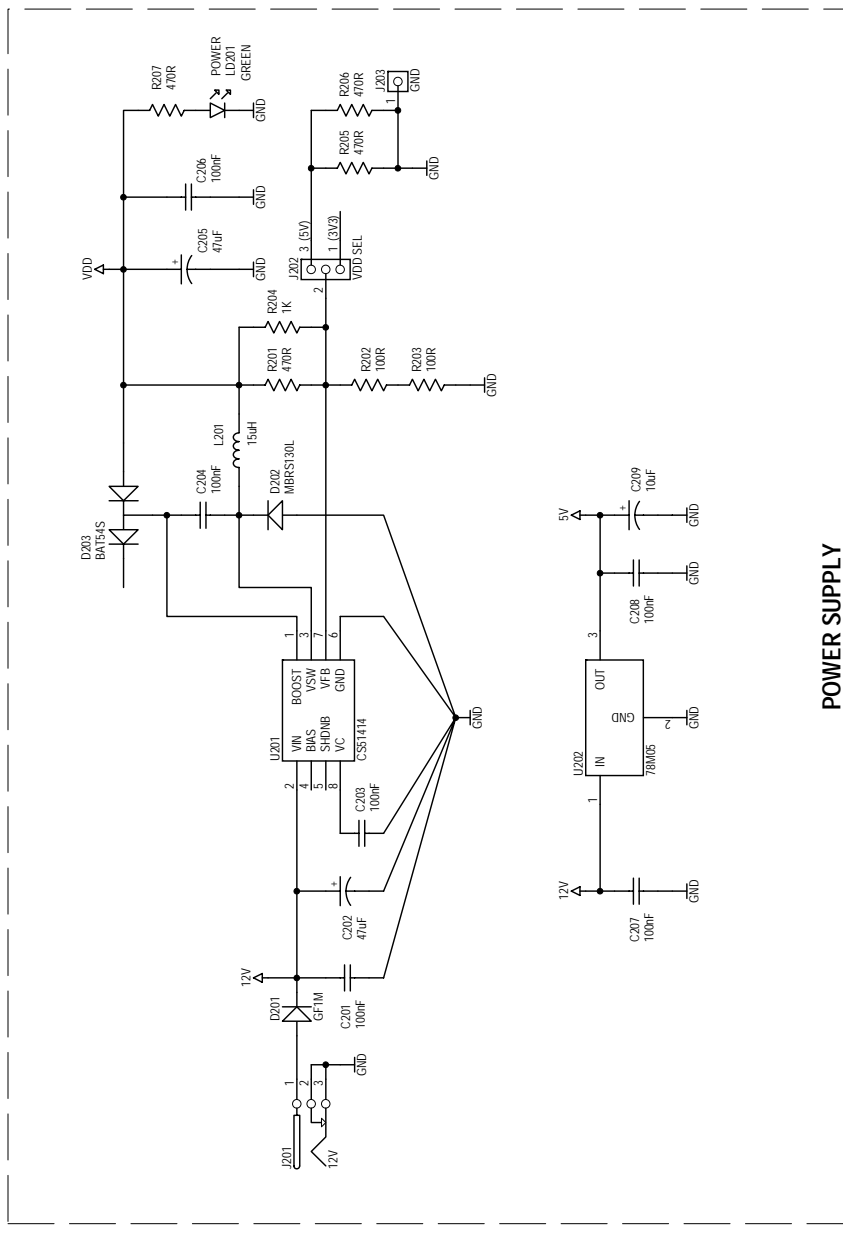
**ZK-S12-B**

**Schematic  
and  
Bill of Material**



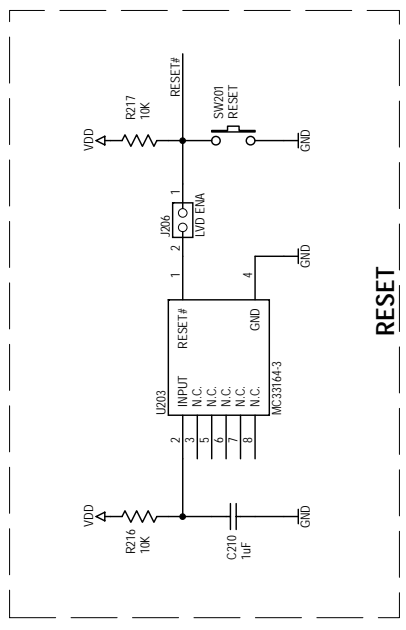
**BDM CONNECTOR**

**MCU**

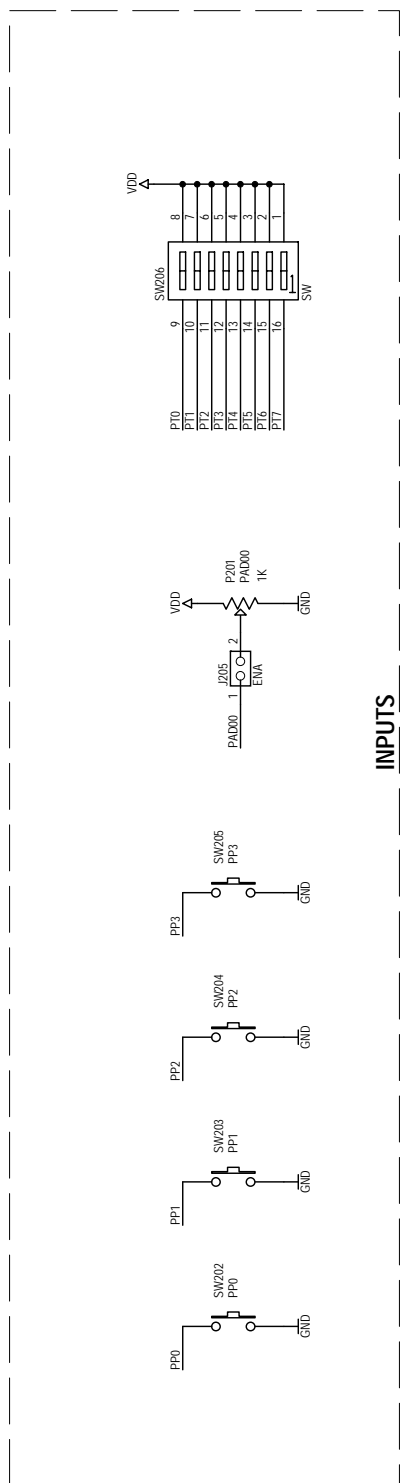


**POWER SUPPLY**

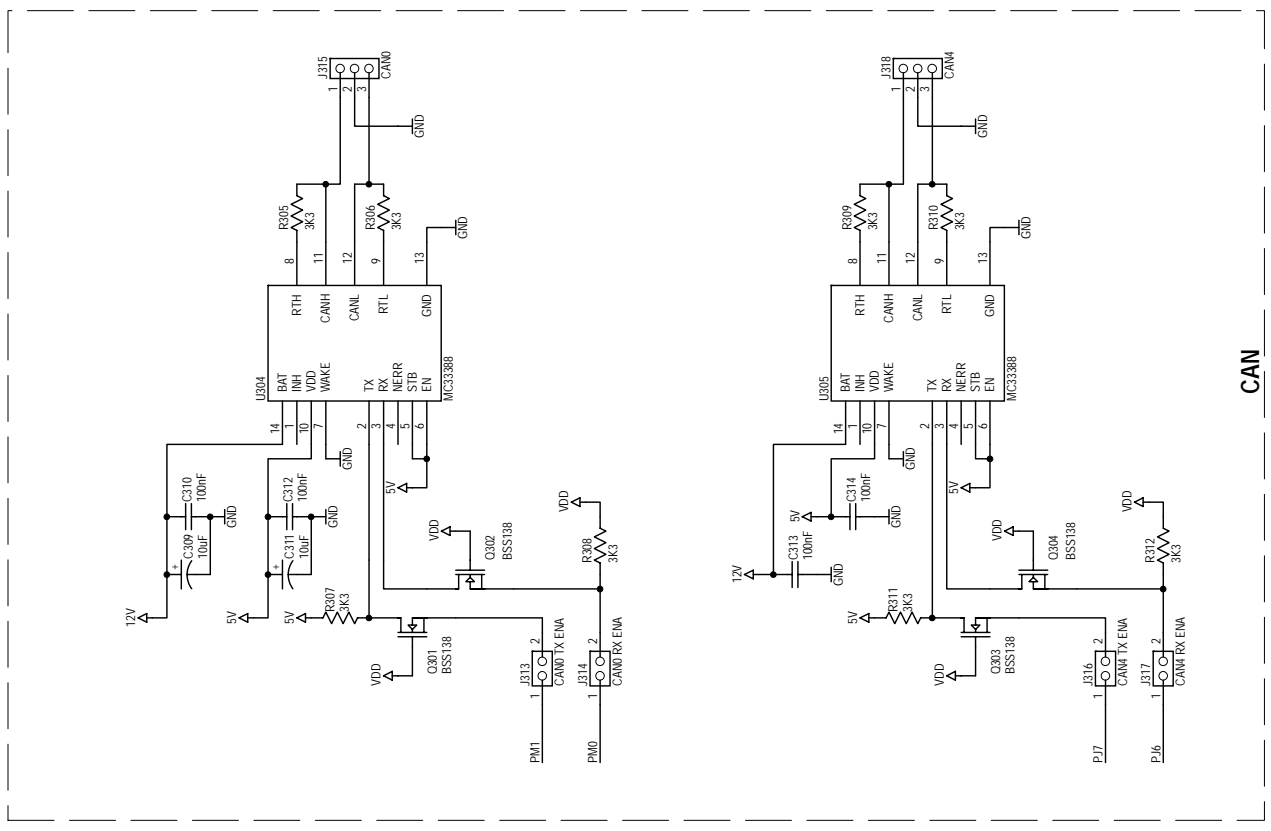
**OUTPUTS**



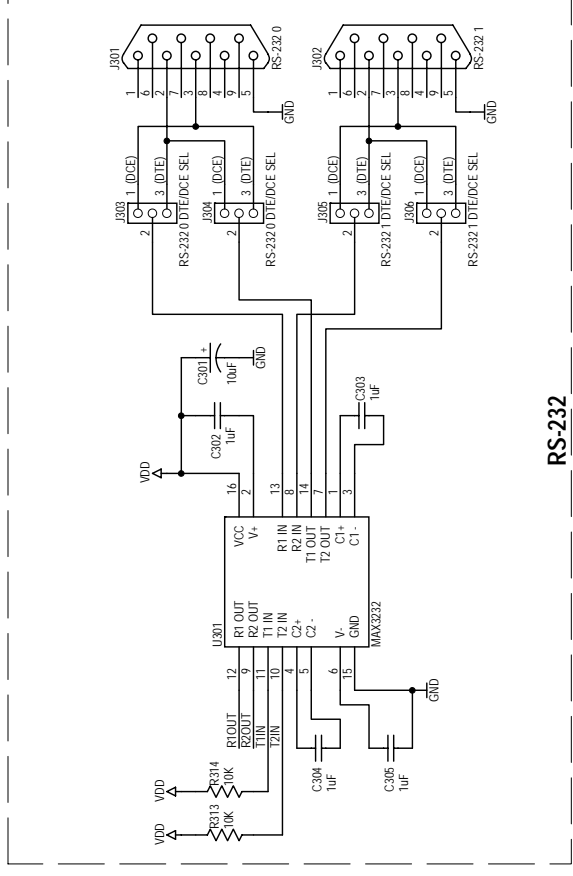
**RESET**



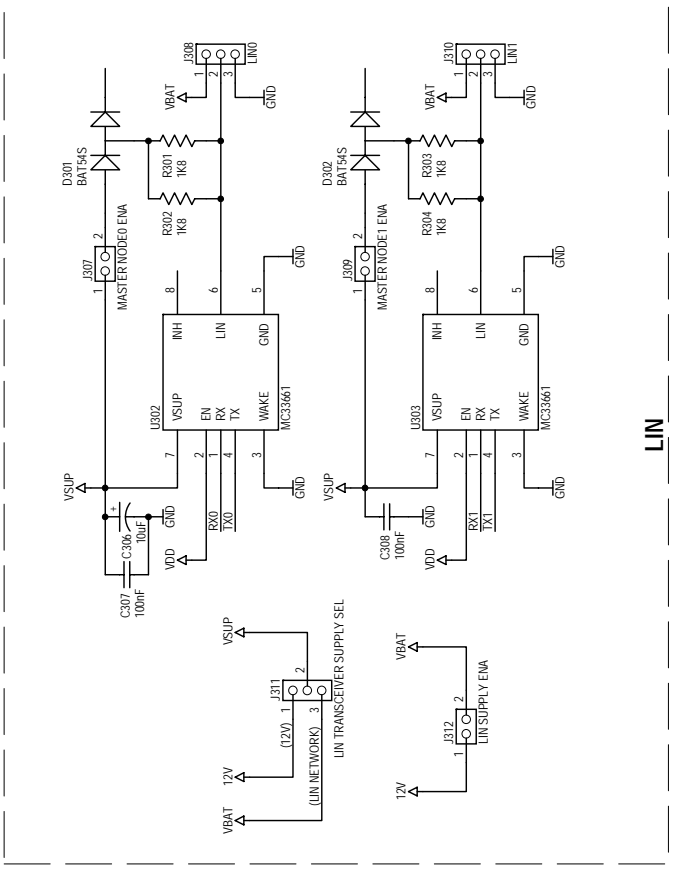
**INPUTS**



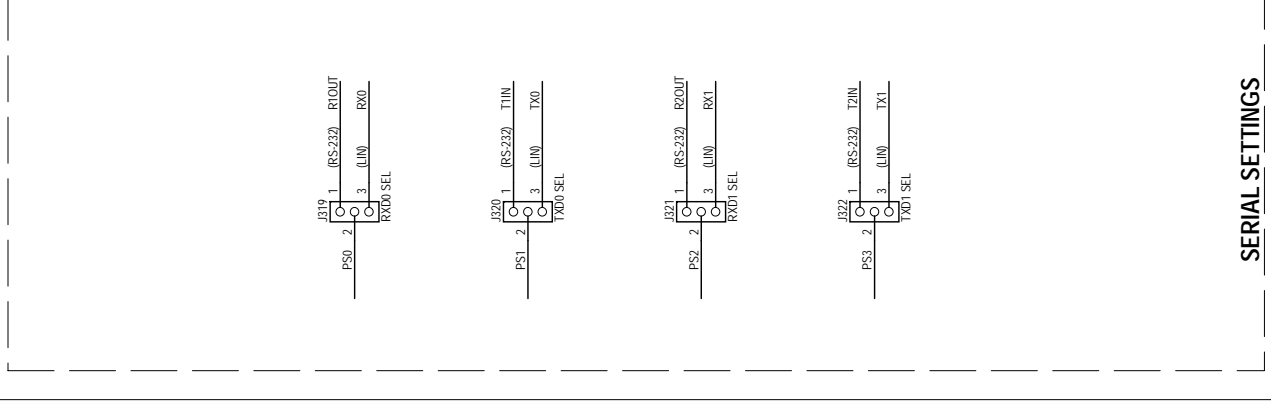
CAN



RS-232



LIN



SERIAL SETTINGS

