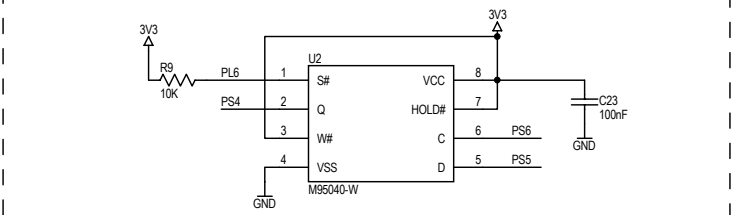
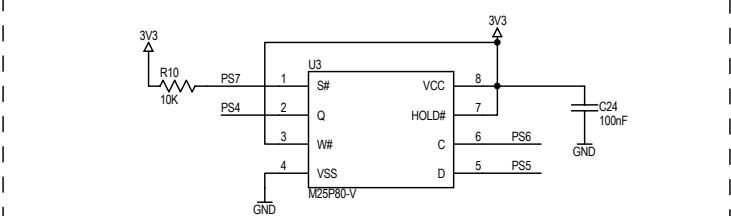


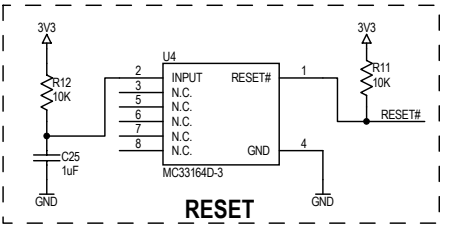
ETHERNET



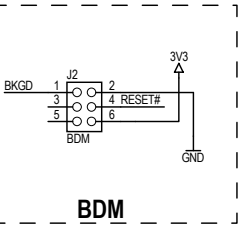
EEPROM MEMORY



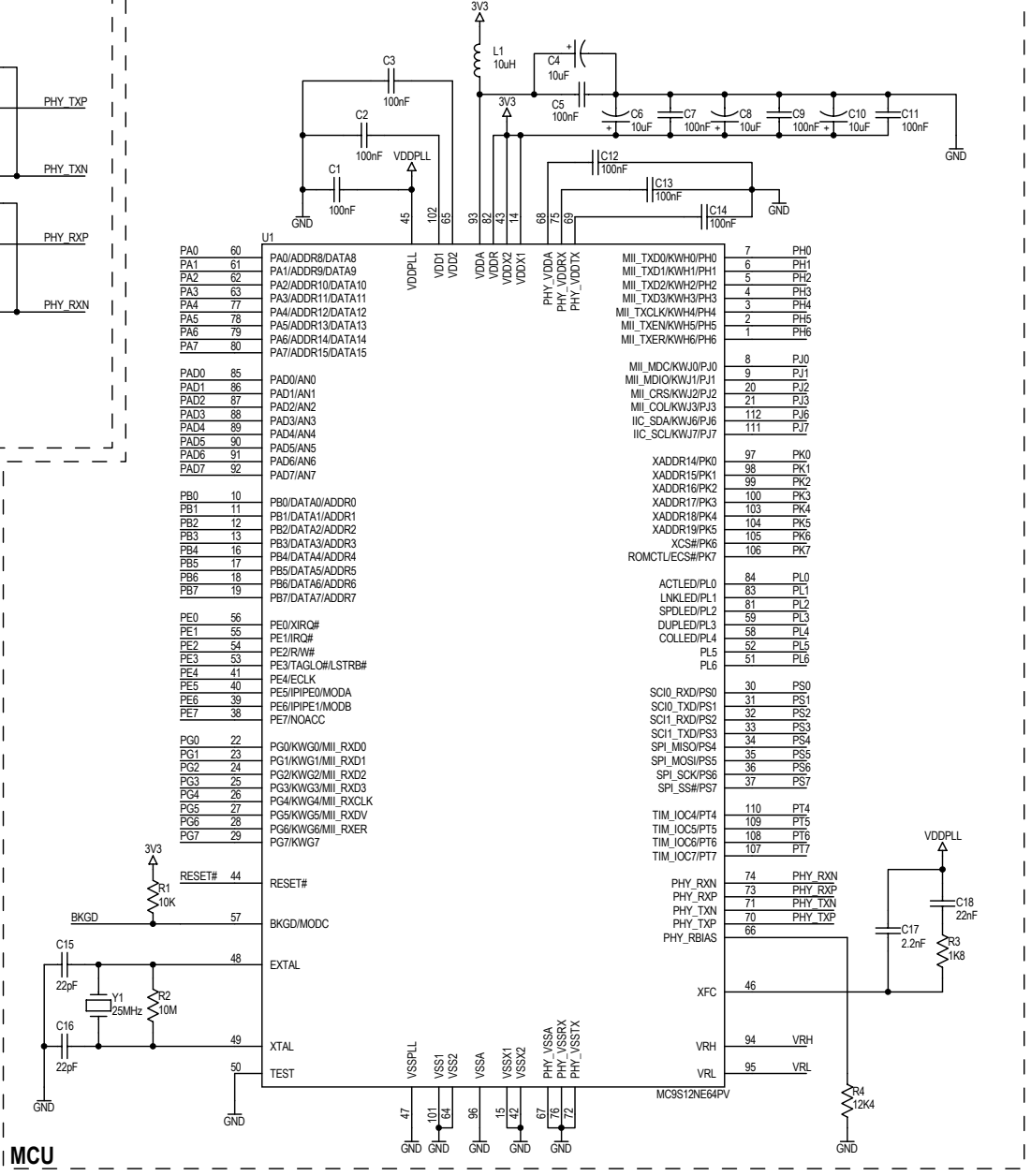
FLASH MEMORY



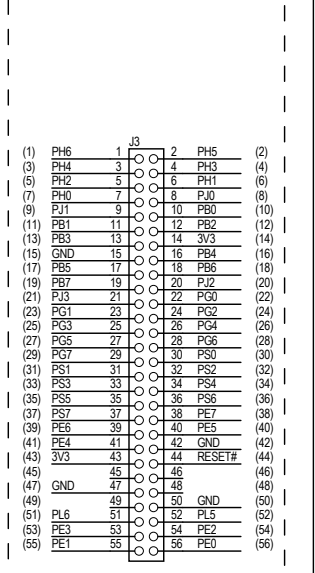
RESET



BDM



MCU



SIGNAL PINS

