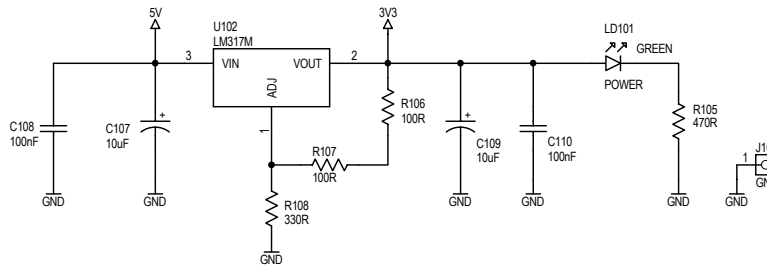
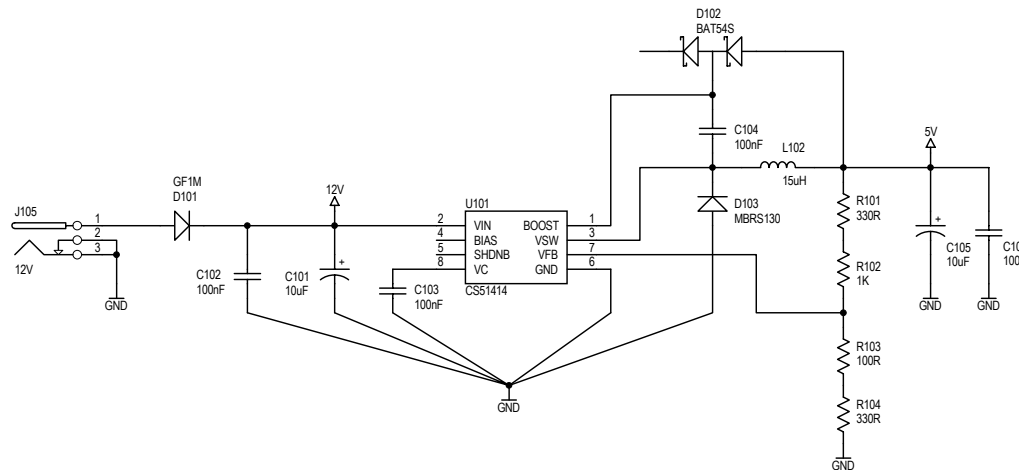
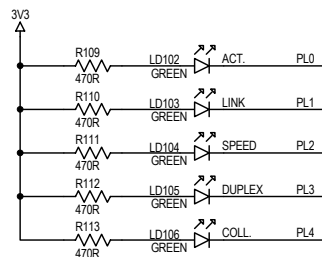


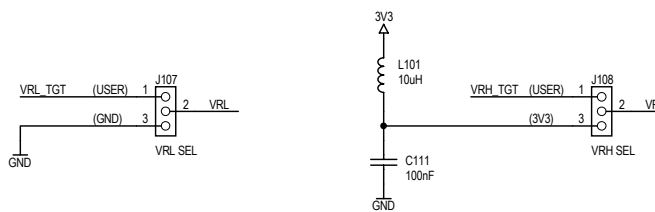
SIGNAL PINS



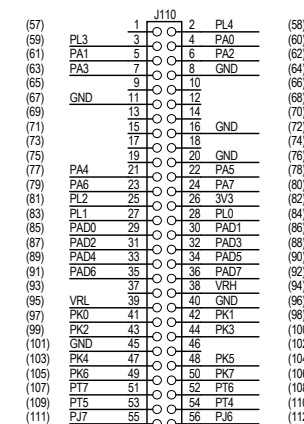
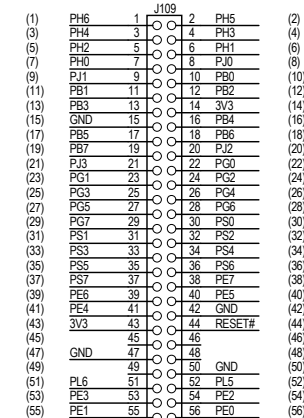
POWER SUPPLY



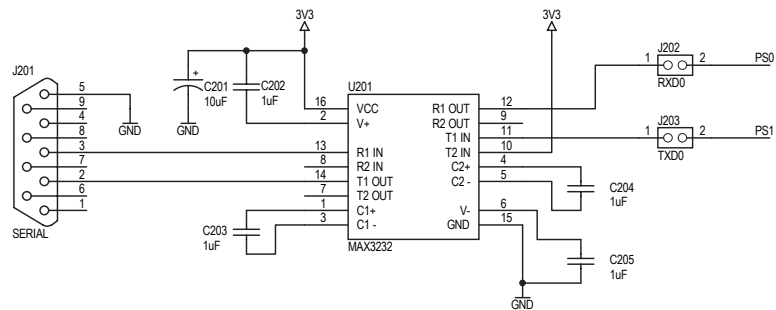
LAN



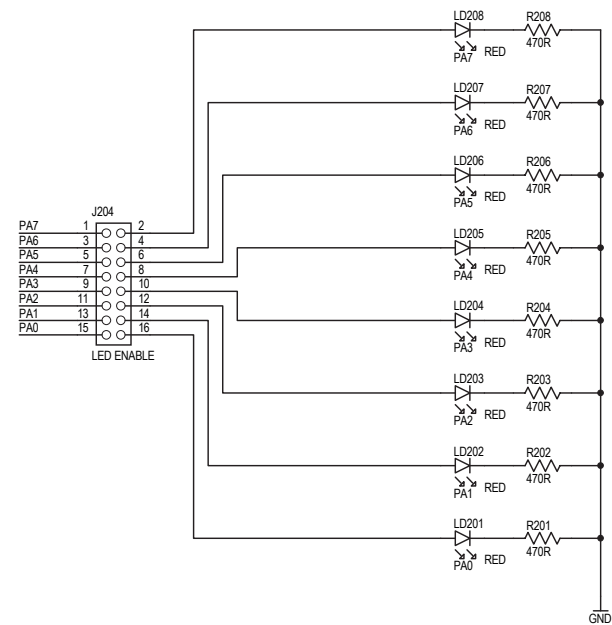
ATD REFERENCE



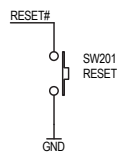
CM-HCS12NE



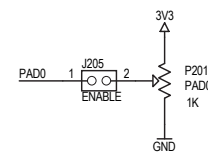
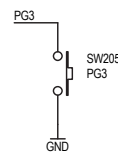
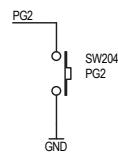
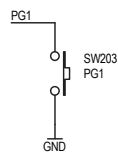
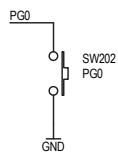
RS-232



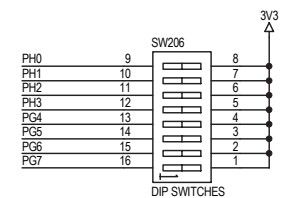
OUTPUTS

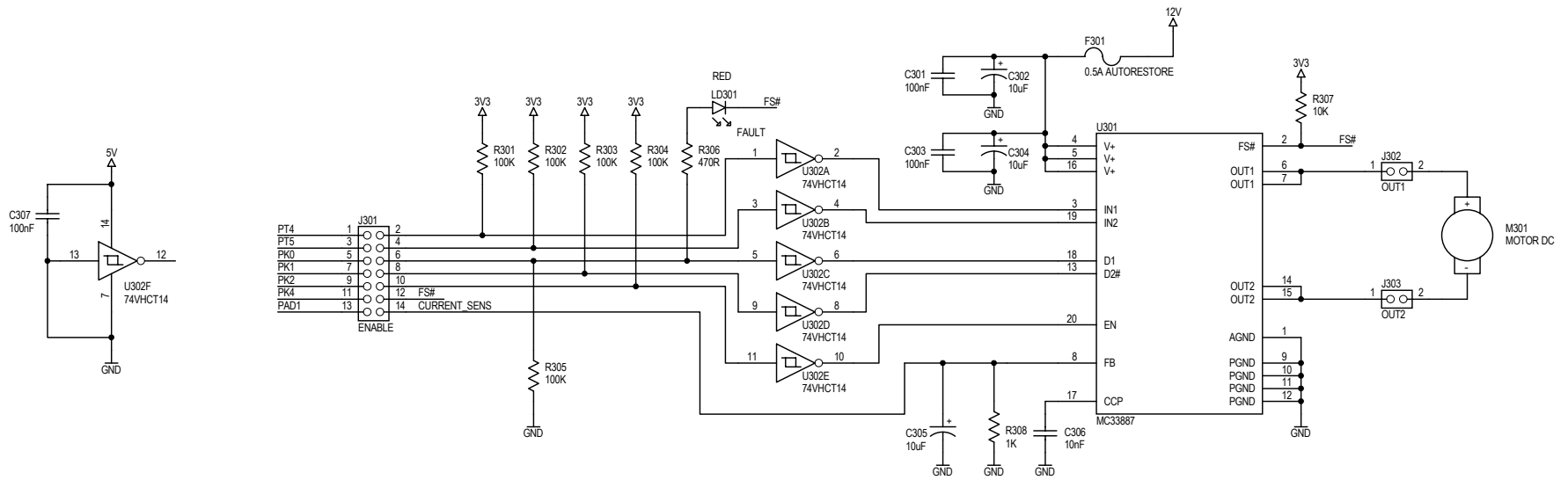


RESET

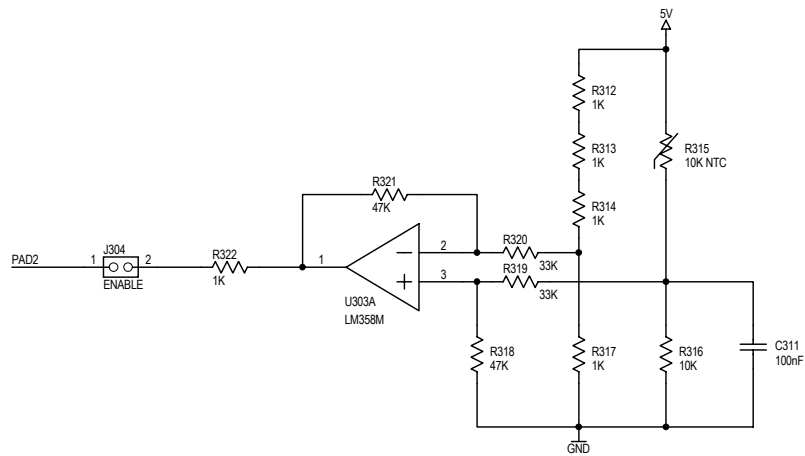


INPUTS

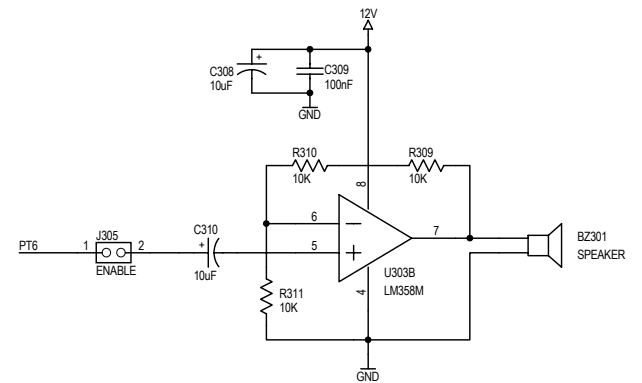




MOTOR



TEMPERATURE



SPEAKER